

Small Giant - VAMMAS B405 SNOW BLOWER

B405

VAMMAS is the leading brand of airport snow blowers in Northern Europe. The latest VAMMAS B405 snow blower has been designed to handle various snow tasks at airports.

The VAMMAS B405 snow blower with, full width auger, guarantees a maximum snow blowing capacity. The unit has been designed for both dry and wet snow.

Performance has been engineered into the unit itself through:

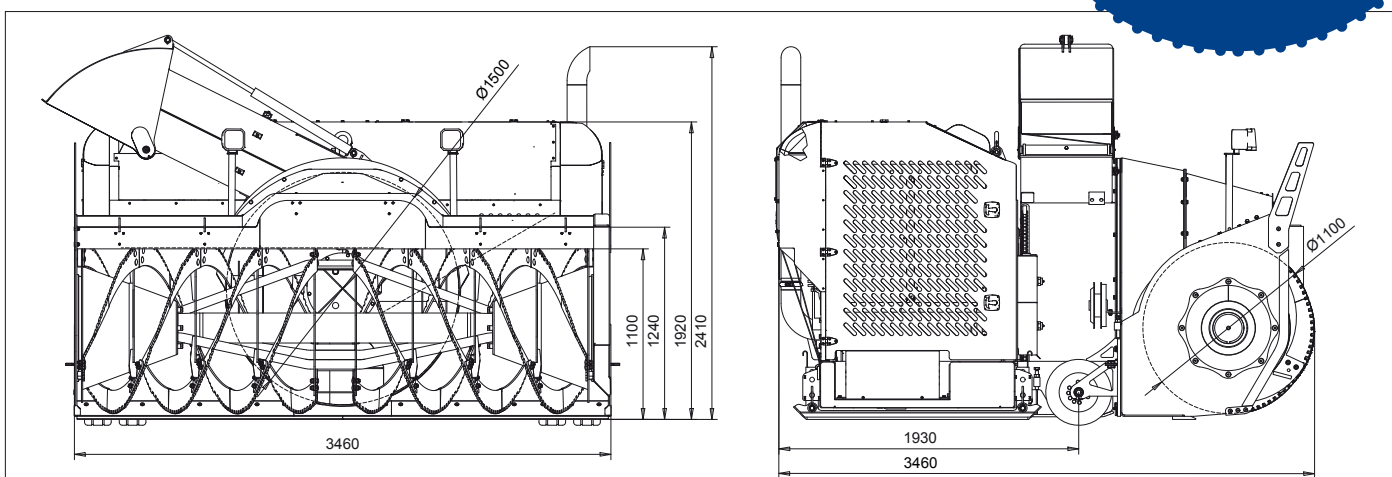
- low profile design upfront for improved visibility
- powerful, hydraulic driven full width auger
- open construction auger guarantees maximum blowing capacity of snow
- operator friendly remote control box
- quick mounting and dismounting allows other usage of the carrier
- open and easy access to all service points
- optional chute for loading





Technical specifications B405

Total length	3,46 m	11 ft. 4 in.
Total width	3,46 m	11 ft. 4 in.
Total height	2,41 m	7 ft. 11 in.
Weight	8000 kg	17600 lbs.
Maximum capacity	3000 metric tons/h	3300 short tons/h
Casting distance	15 - 45 m	50 ft. - 150 ft.
Max height of snow bank	1,2 m	3 ft. 11 in.
Impeller diameter	1,5 m	4 ft. 11 in.
Auger diameter	1,1 m	3 ft. 7 in.
Helical ribbon auger	Full width, hydraulic driven	
Casting angle	160° (lh 30°, rh -10°)	
Engine:		
EU Stage V, Volvo TAD 1385,	up to 405 kW	up to 550 hp.
Voltage	24 V	24 V
Carrier recommendation: Wheel loader 20 t weight class		



Vammass

Vitera Oy
Vammassentie
Building R 14
38210 SASTAMALA
FINLAND

Tel. +358 10 3246 121
www.vammass.com
info@vammass.com